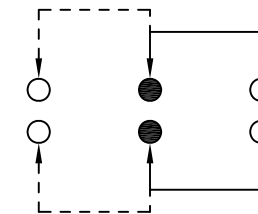
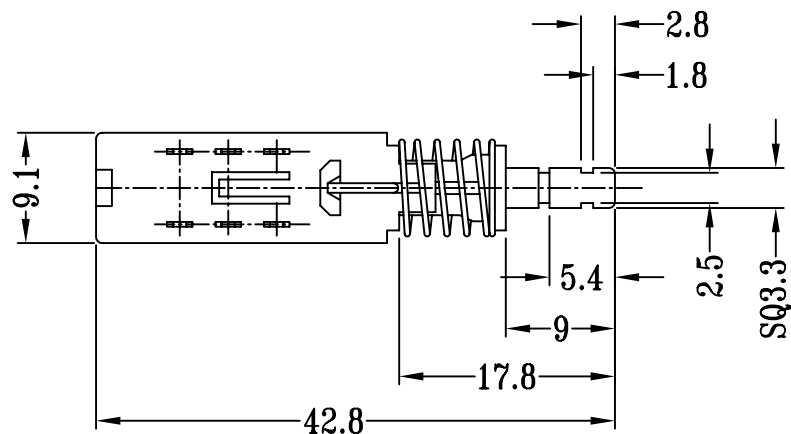
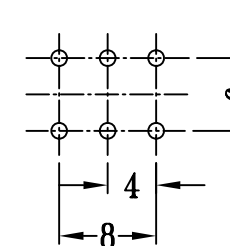
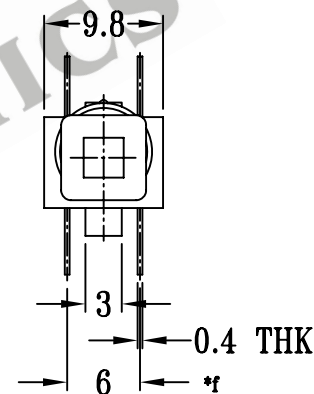
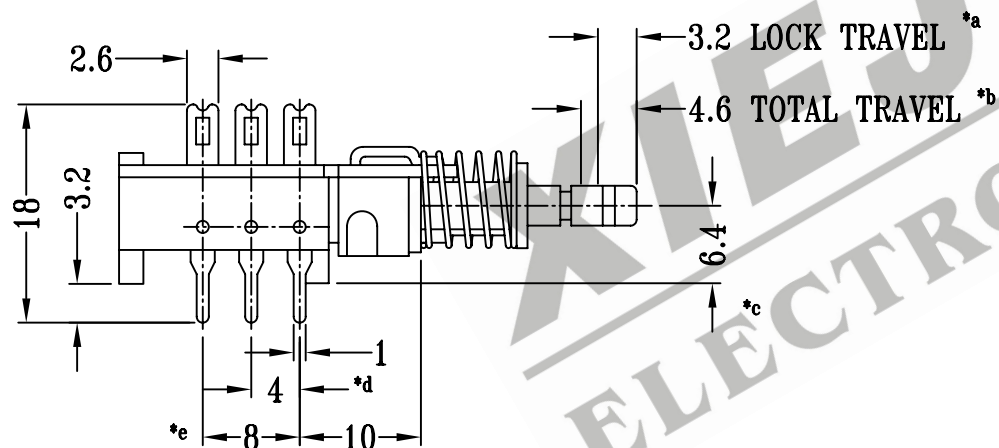


CAD FILE:



SCHEMATIC (NON-SHORTING)



P.C.B LAYOUT

注:带"*"表示关键尺寸(6个)

NO.	PART NAME	MATERIAL	Q'TY	FINISHING	TOLERANCE UNLESS SPECIFIED	SHENZHEN XIEJIA ELECTRONICS CO.,LTD.					
8						ISSUE		DATE	DESCRIPTIONS	APPD.	
7	CONTACT	BRASS STRIP	2	Ag PLATED	WITHIN: 1.5±0.1mm OVER : 1.5±0.2mm	TITLE : PLASTIC PUSH SWITCH		UNIT : MM	DRWG NO.: XJ-DR-PBS22H01-00		
6	BASE	PC	1	CLEAR		MODEL: PBS-22H01		SCALE: 3:2	DWN.	ZHOUYU	2002-4-18
5	TERMINAL	BRASS STRIP	6	Ag PLATED OVER Ni PLATED		ALL MATERIALS MUST BE COMPLIANT TO ROHS			CHK'D	FANGYING	2002-4-18
4	CASE	PC	1	BLACK					APPD.	KANGXINAN	2002-4-18
3	CAM STICK	STAINLESS STEEL	1	NATURAL							
2	SPRING	STAINLESS STEEL	3	TERMINAL							
1	KNOB	POM	1	WHITE							